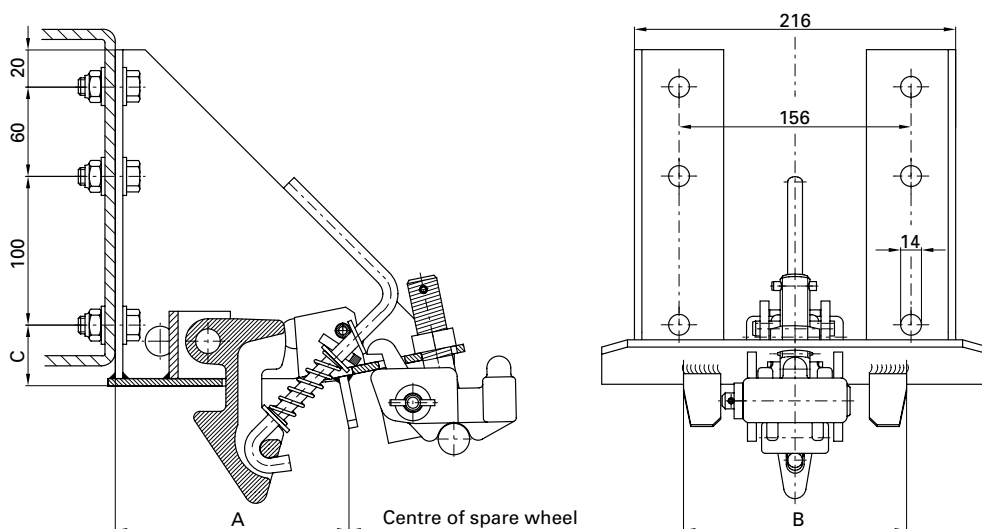


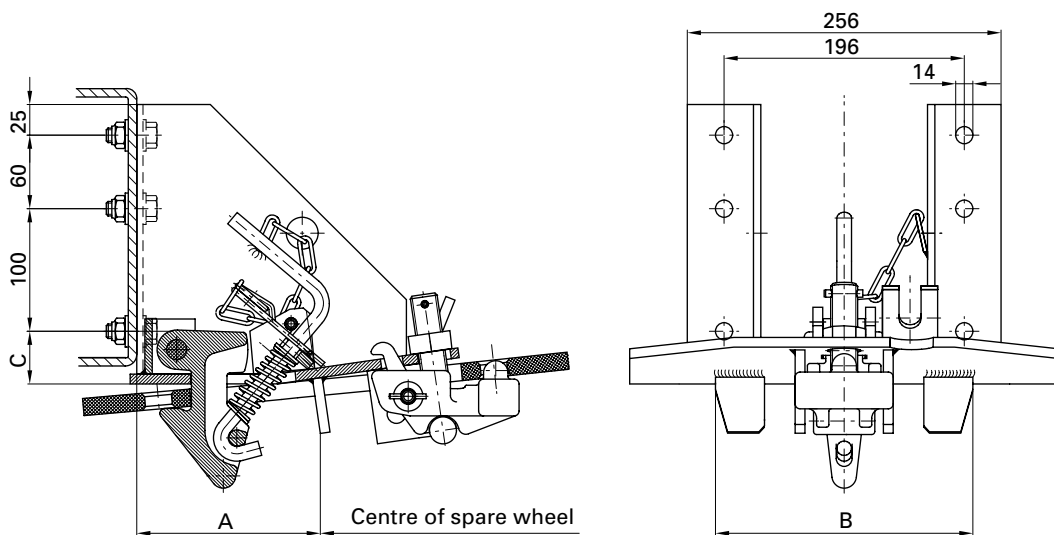
ERH 6-205, ERH 6-245



Selection table / available versions

A (mm)	B (mm)	C (mm)	Bolt circle (mm)	Rim width max. (mm)	Weight (kg)	Order No.	Drawing No.
ca. 158	150	45	205	12	8.5	ERH 6-205	902.011.000
ca. 138	190	45	245	12	8.6	ERH 6-245	902.013.000

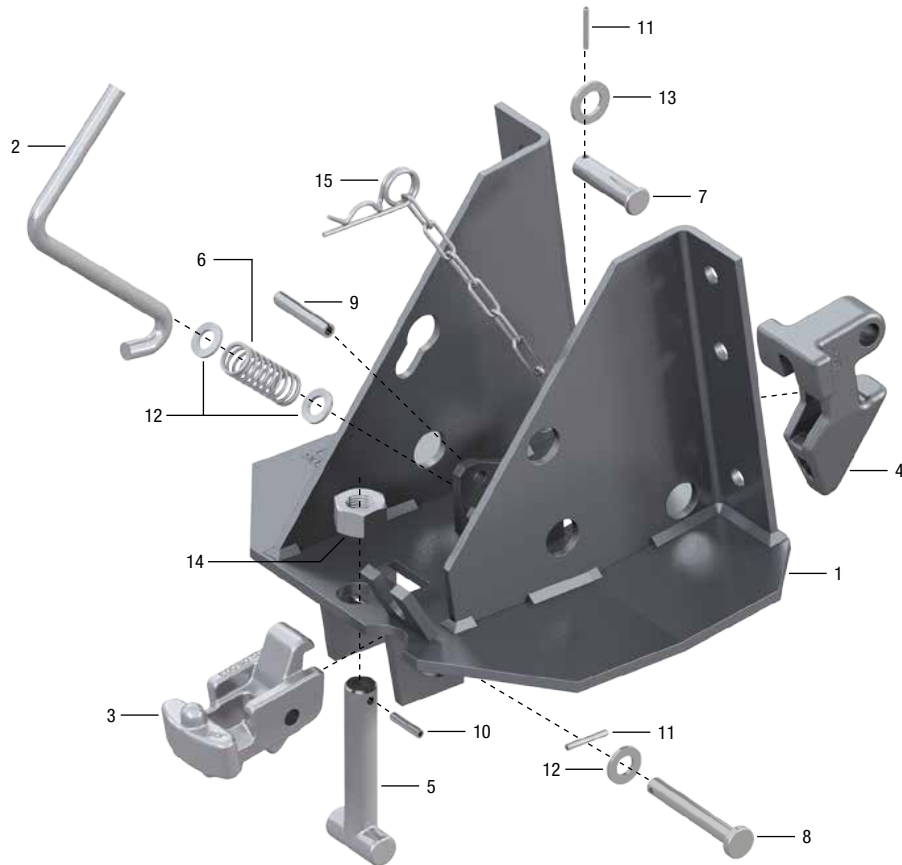
ERH 8-275, ERH 10-335



Selection table / available versions

A (mm)	B (mm)	C (mm)	Bolt circle (mm)	Rim width max. (mm)	Weight (kg)	Order No.	Drawing No.
ca. 150	210	43	275	16	14.3	ERH 8-275	902.014.000
ca. 188	270	43	335	16	16.4	ERH 10-335	902.012.000

Spare wheel holder



Spare parts

Item	Description	ERH 6-205	ERH 6-245	ERH 8-275	ERH 10-335
1	Housing	902.011.100	902.013.100	902.014.100	902.012.100
2	Crow bar	902.011.200	902.013.200	902.012.200	902.012.200
3	Clamp	902.011.003	902.011.003	902.012.003	902.012.003
4	Hook	902.011.004	902.011.004	902.012.004	902.012.004
5	Hammer bolt M20x1,5 Hammer bolt M22	902.011.005	902.011.005	902.012.005	902.012.005
6	Compression spring	902.011.008	902.011.008	640.001.033	640.001.033
7	Rivet bolt 16x60	902.011.012	902.011.012	902.011.012	902.011.012
8	Rivet bolt 10,7x81 Rivet bolt 10,7x96	902.011.013	902.011.013	902.012.013	902.012.013
9	Clamping pin 10x55	000.003.023	000.003.023	000.003.023	000.003.023
10	Clamping pin 6x30	NT0002100	NT0002100	NT0002100	NT0002100
11	Clamping pin 4x30	000.003.017	000.003.017	000.003.017	000.003.017
12	Washer A12	NT0059400	NT0059400	NT0059400	NT0059400
13	Washer A17	000.006.009	000.006.009	000.006.009	000.006.009
14	Hex nut M20x1,5 Hex nut M22 vz	000.002.015	000.002.015	000.002.018	000.002.018
15	Safety pin			000.008.001	000.008.001