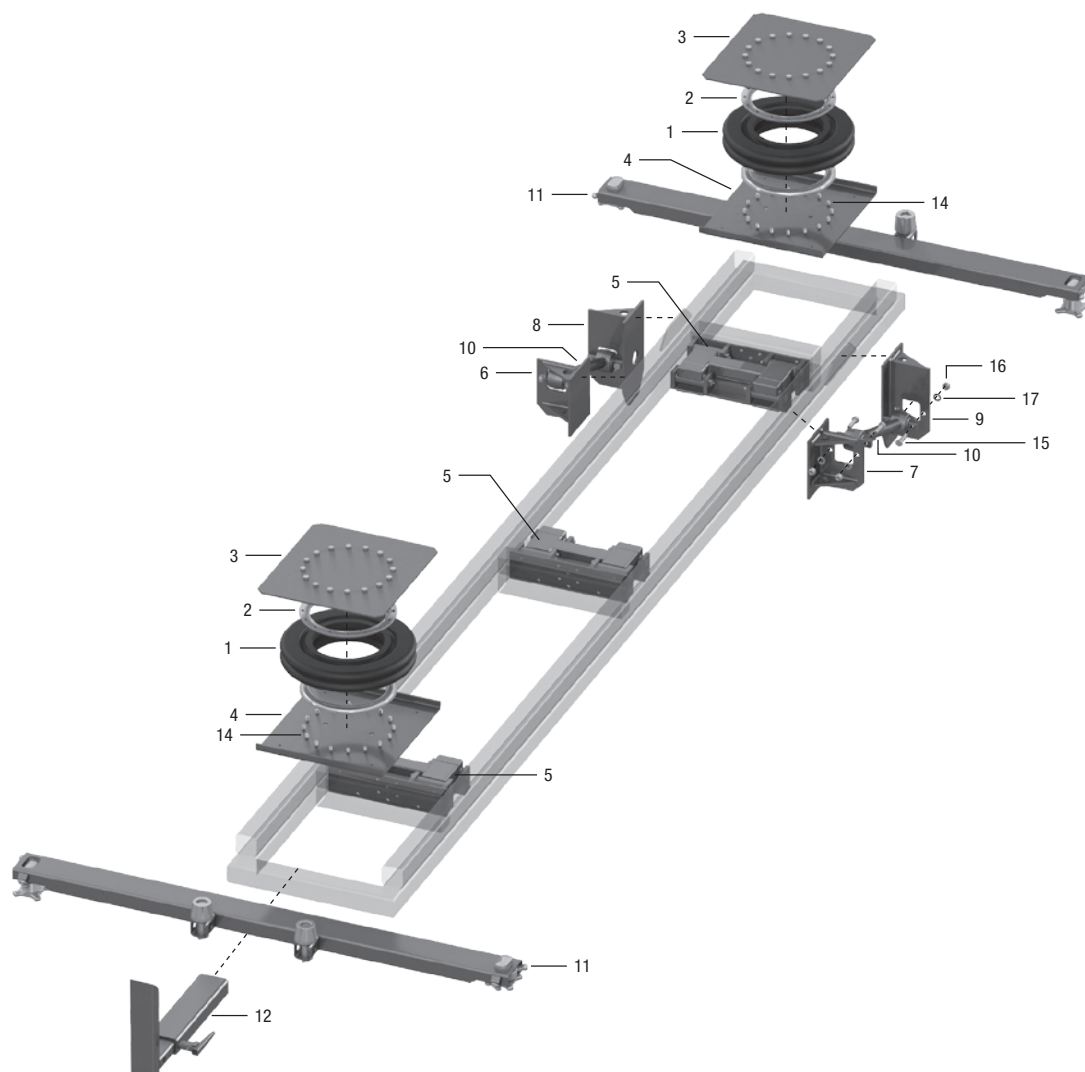


Components for lifting frame HR 18300



Selection table / available versions

Weight (kg)	Description	Order No.	Lifting height (mm)
591.0	Complete lifting frame kit	HR 18300	300 mm

Item	Description	Order No.	Quantity
1	Pneumatic bellow	212.013.000	2
2	Bead ring	212.005.000	4
3	Lifting plate top	HR0000106	2
4	Lifting plate bottom	HR0000084	2
5	System element	HR0000189	3
6	Holder 1	HR0000059	1
7	Holder 2	HR0000060	1
8	Holder 3	HR0000113	1
9	Holder 4	HR0000114	1
10	Control arm	HR0000036	2
11	Bolster 160-80 RV	QT 160-80 RV	2
12	Stop 160 HR	ASW 160 HR	1
14	Hex bolt M16x25	000.001.002	64
15	Hex bolt M20x70	NT0005900	8
16	Hex nut M20	000.002.002	8
17	Washer A21	000.006.048	8