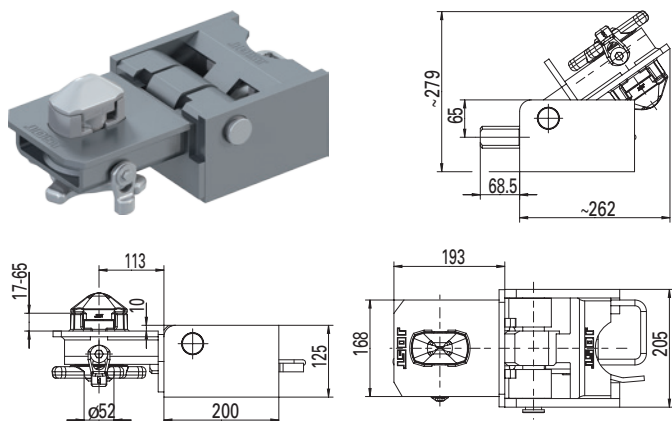


# FB 90 F



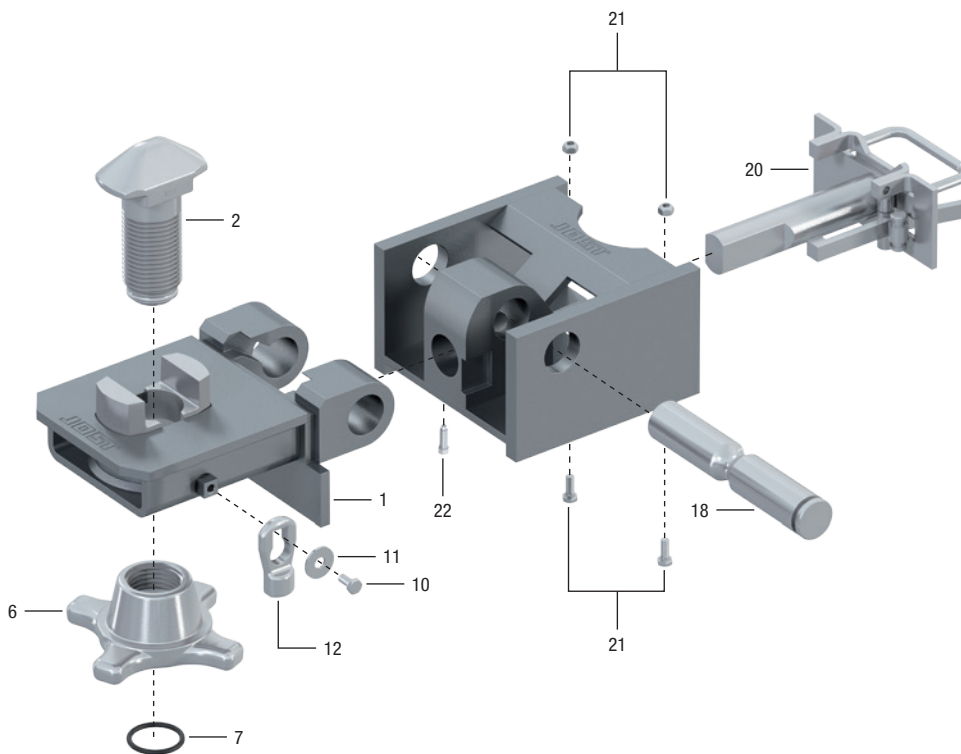
Application: Gooseneck chassis in frontal position  
 rec. gross container weight: max. 34.000 kg  
 Locking pin:  $\varnothing$  52 mm (ISO)  
 Twist lock interior parts: like R 408 F  
 can be screwed down and turned; not retractable  
 See the installation examples for gooseneck chassis for  
 details of application.  
 Condition at delivery: mounted

## Selection table / available versions

Versions	Weight (kg)	Order No.	Drawing No.
primed, inner parts galv.	29.9	FB 90 F	905.714.000
Weld-on hsng raw, lock mech. hot-dip galv., inner parts galv.	29.9	FB 90 FV	905.714.000



## Spare parts



Item	Description	Order No.	Note
1	Twist Lock-Housing, fvz.	917.714.500	
2	Locking pin	915.000.189	
6	Locking nut	915.000.275	
7	Locking ring	915.000.187	
18	Pivot pin	915.714.101	
20	Locking bar bolt, compl.	915.714.400	
21	Safety screw, kit	905.714.960	From 01.01.20
22	Safety screw	NT0054600	To 31.12.19

## Spare parts kit

Item	Description	Order No.
10, 11, 12	Latch kit	905.159.500