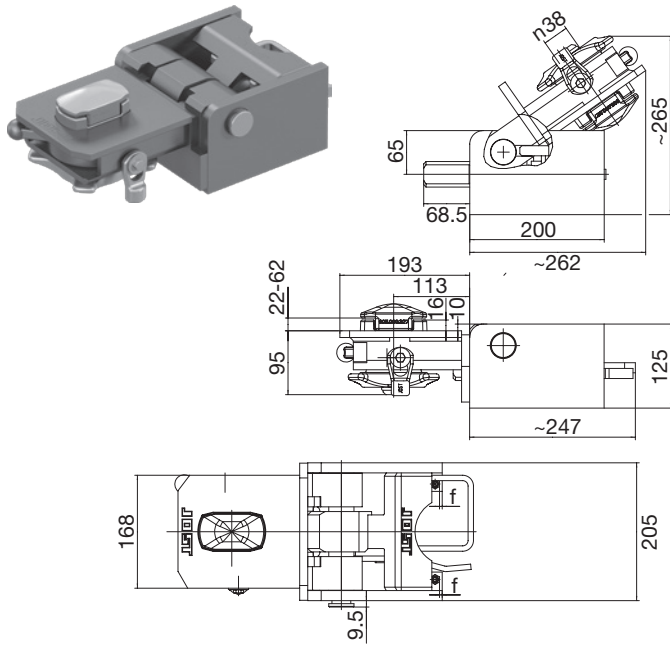


FB 90 – 06 VA



Application: Gooseneck chassis in frontal position
 rec. gross container weight: max. 34.000 kg
 Locking pin: \varnothing 38 mm (ISO)

Twist lock interior parts: like R 406 VAK-C
 can be clamped, turned and retractable

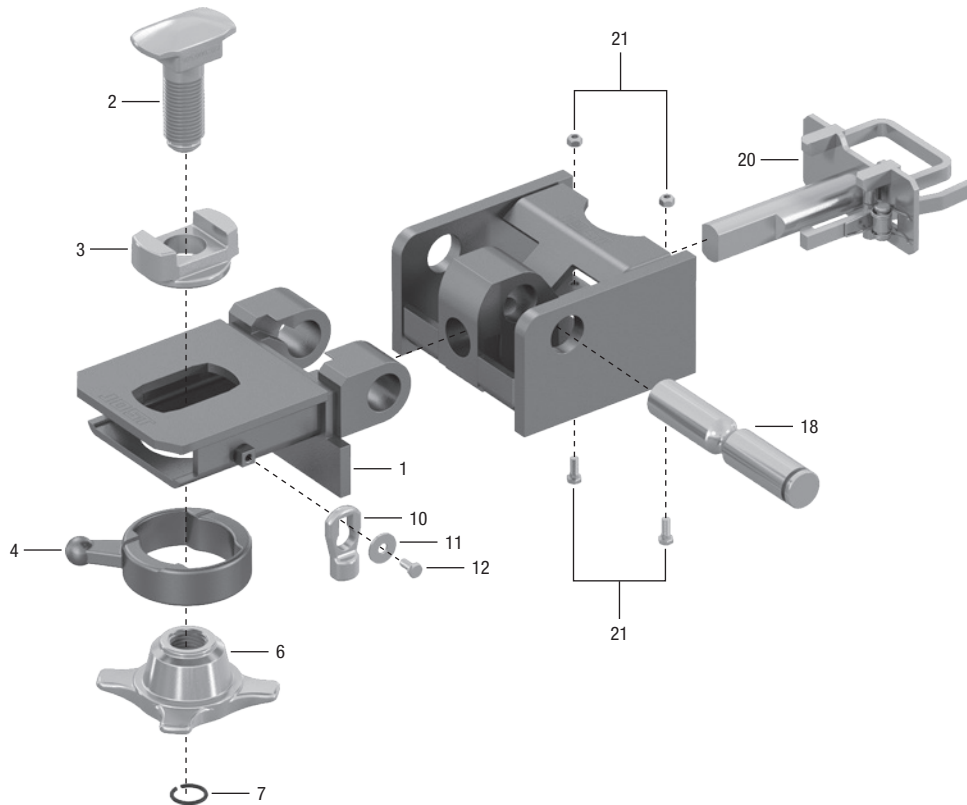
See the installation examples for gooseneck chassis for details of application.

Condition at delivery: mounted

Selection table / available versions

Versions	Weight (kg)	Order No.	Drawing No.
primed, inner parts galvanised	29.8	FB 90-06 VA	905.753.000
Housing raw, hot-dip galvanised housing, inner parts galvanised	29.8	FB 90-06 VAV	905.753.000

Spare parts



Item	Description	Order No.
1	Twist Lock-Housing, fvz.	917.753.500
2	Locking pin	915.000.327
3	Guide bush	915.000.288
4	Outer bush	915.000.274
6	Locking nut	915.000.303
7	Locking ring	915.000.190
18	Pivot pin	915.714.101
20	Locking bar bolt, compl.	915.714.400
21	Safety screw, kit	905.714.960

Spare parts kit

Item	Description	Order No.
10, 11, 12	Latch kit	905.159.500