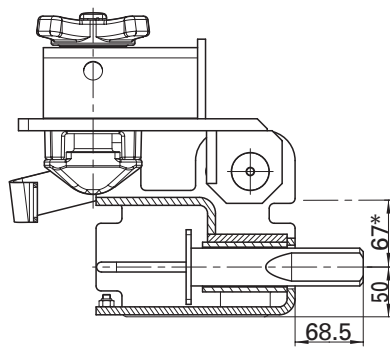
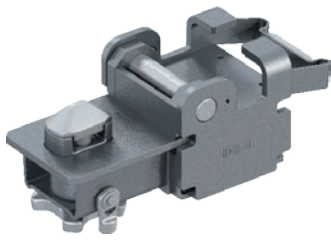
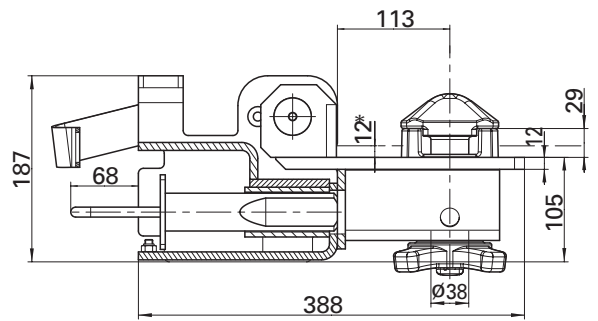


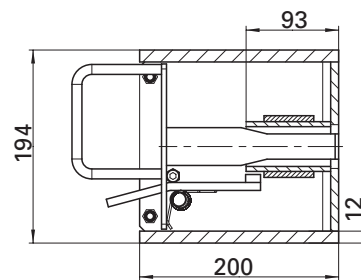
FB 88 – 14 V



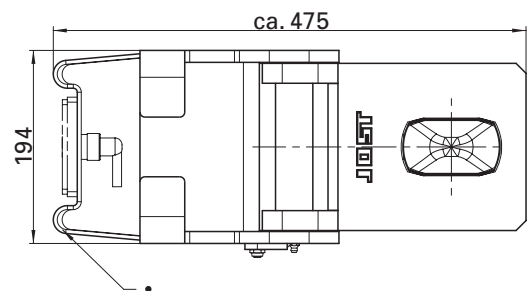
* top of longitudinal chassis beam



* top of longitudinal chassis beam



FB 88 - 14 V



Light holder suitable for Aspöck Flatpoint position lights or light source with comparable connection dimensions. Lights and attachment parts are not included in the JOST delivery.

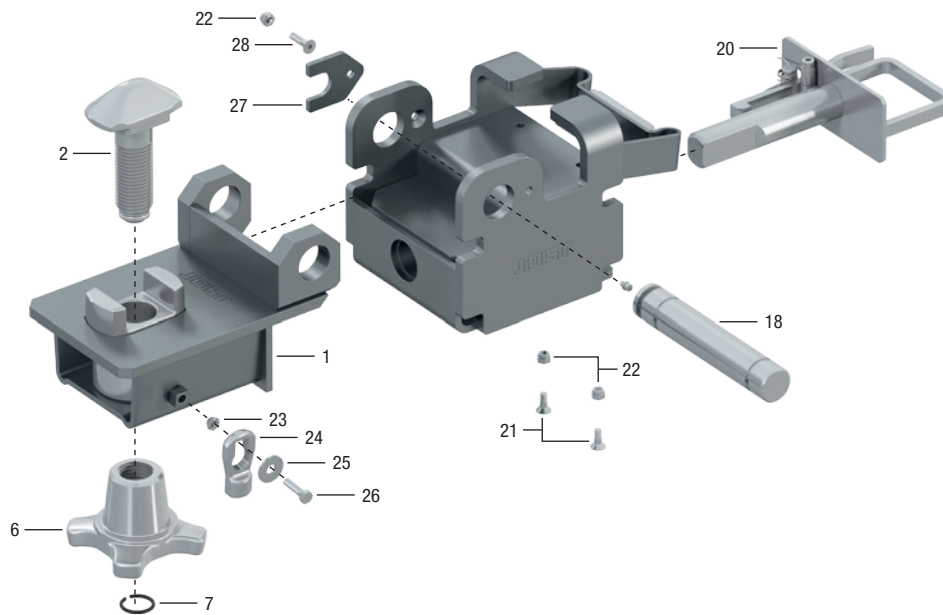
Application: Gooseneck chassis in frontal position
 rec. gross container weight: max. 34.000 kg
 Locking pin: \varnothing 38 mm (ISO)
 Twist lock interior parts: like R 414 F
 can be clamped, turned and adjusted in height.
 See the installation examples for gooseneck chassis for details of application.
 Latch can be mounted on the right or left side, as desired.

Selection table / available versions

Weight (kg)	Order No.	Drawing No.
30.1	FB 88-14 V	905.661.000

FB 88 – 14 V

Spare parts



Item	Description	Order No.
1	Housing, galv.	917.661.100
2	Locking pin	915.000.137
6	Locking nut	915.000.127
7	Locking ring	915.000.190
20	Locking bar bolt, compl.	915.661.300
21	Countersunk bolt M8 x 20	000.001.184
22	Nut M8	000.002.017

Spare parts kit

Item	Description	Order No.
23, 24, 25, 26	Latch kit	915.661.600
18, 22, 27, 28	Pin kit	915.661.700

