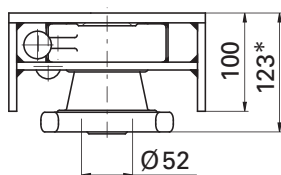
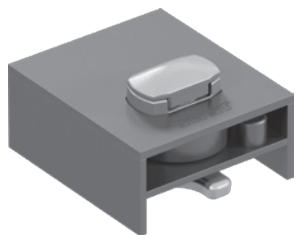
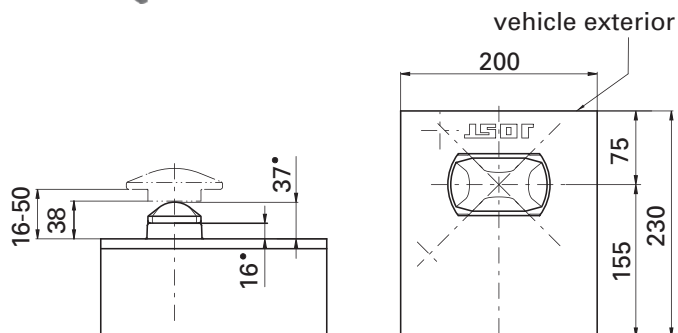


## R 305 VAP



Application: Platform  
 rec. gross container weight: max. 25.400 kg  
 Locking pin:  $\varnothing$  52 mm (ISO)  
 can be screwed down, retractable

\* Locking nut loose 152



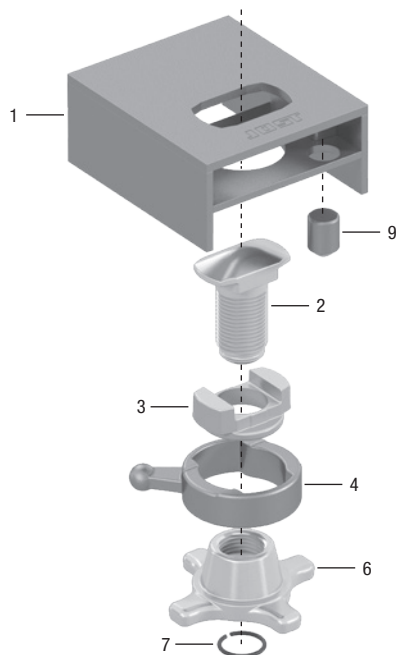
- Dimensions in position ready for mounting

## Selection table / available versions

Weight (kg)	Condition at delivery	Order No.	Drawing No.
14.0	mounted	R 305 VAP	905.295.000
14.0	unmounted	R 305 VAPV	

Ball locks must be submitted to regular function tests and lubricated/oiled if necessary.

## Spare parts



Item	Description	Order No.
1	Housing	incl. Item 9 905.295.200
2	Locking pin	915.000.276
3	Guide bush	915.000.191
4	Outer bush	915.000.274
6	Locking nut	915.000.275
7	Locking ring	915.000.187
9	Ball lock	905.000.143

## Spare parts kit

Item	Description	Order No.
2, 3, 4, 6	Interior parts kit	915.319.500
2, 3, 4, 6, 7	Interior parts kit incl. locking ring	915.319.600