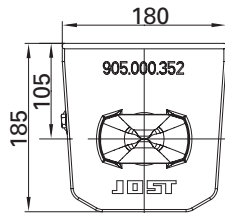
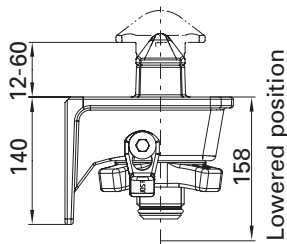
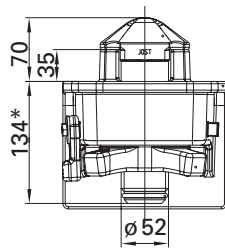
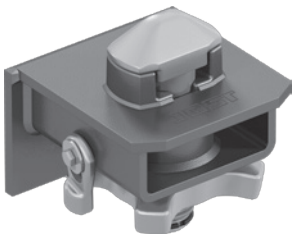


F 02 SK-R



Application: Container chassis
 rec. gross container weight: max. 34.000 kg
 Locking pin: \varnothing 52 mm (ISO)
 can be screwed down, non-retractable
 Screwable latch can be mounted on the right or left side,
 as desired alternative version with welded sheet steel housing:
 R 402 F/R 302 F
 F 02 SK-R, completely primed
 F 02 SK-RV, housing raw

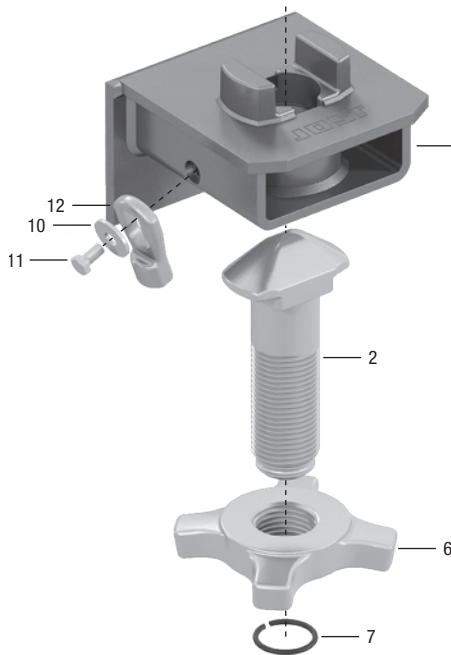
* Locking nut loose 129

Selection table / available versions

Weight (kg)	Condition at delivery	Order No.	Drawing No.
13.0	mounted	F 02 SK-R	905.162.000
13.0	unmounted	F 02 SK-RV	



Spare parts



Item	Description	Order No.
1	Housing incl. Item 10–12	914.000.207
2	Locking pin	915.000.213
6	Locking nut	915.000.088
7	Locking ring	915.000.187

Spare parts kit

Item	Description	Order No.
10, 11, 12	Latch kit	905.159.500
2, 6	Interior parts kit	915.162.500
2, 6, 7	Interior parts kit incl. locking ring	915.162.600