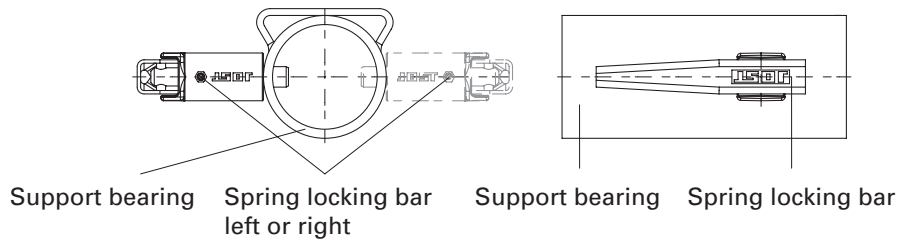


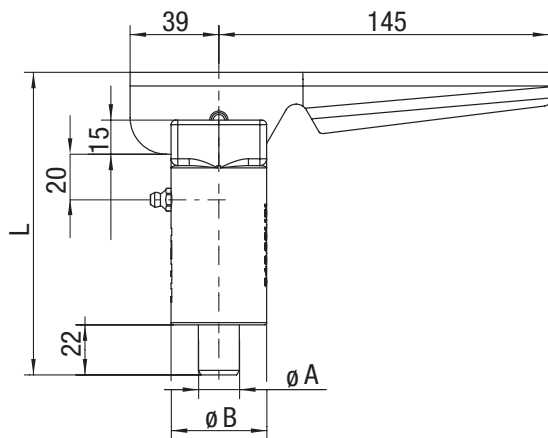
# Support bearing and spring locking bar

The support bearing welded to the container is connected to the support tube for the support leg. The spring locking bar locks the support tube in the support bearing. When the spring locking bar is opened the support leg can be folded in or out.



The spring locking bar can be installed on the left or right.

## Spring locking bar

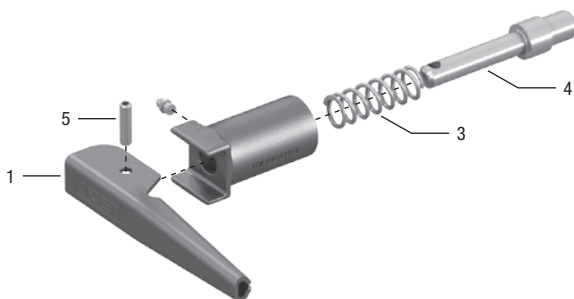


Condition at delivery spring locking bar: Housing raw  
Bolt, spring and handle mounting parts galvanised

### Selection table / Available versions

A (mm)	L (mm)	$\phi B$ (mm)	Weight (kg)	Version	Spring locking bar	Bolt
16	133	42	1.2	FS 97	640.216.000	645.216.016
18	133	42	1.2	FS 97	640.218.000	645.218.018
18	313	42	3.0	FS 97	640.995.200	645.995.201
20	133	42	1.2	FS 97	640.220.000	645.220.020
20	233	42	2.3	FS 97	641.150.000	645.150.001
20	298	42	2.8	FS 97	641.385.000	645.385.001
20	463	42	4.5	FS 97	641.297.000	645.297.001
25	133	42	1.2	FS 97	640.225.000	645.225.025
30	133	42	1.2	FS 97	640.230.000	645.230.030
32	133	50	1.5	FS 98	640.332.000	645.332.032
32	163	50	1.7	FS 98	641.120.000	645.120.001
35	133	50	1.5	FS 98	640.335.000	645.335.035
35	163	50	1.7	FS 98	642.165.000	645.165.001
42	133	50	1.5	FS 98	640.342.000	645.342.042

### Spare parts



Item.	Description	Order No.
1	Handle	645.000.047
3	Spring	645.001.021
4	Bolt see above	
5	Clamping sleeve	000.003.009